

we
are
arco

we
make
tables

arco

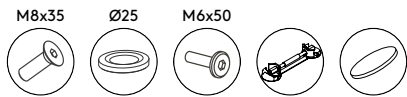
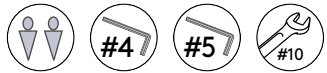
product
Kami Connected
(≥ 121cm wide)

designer
**Joost
van der Vecht**

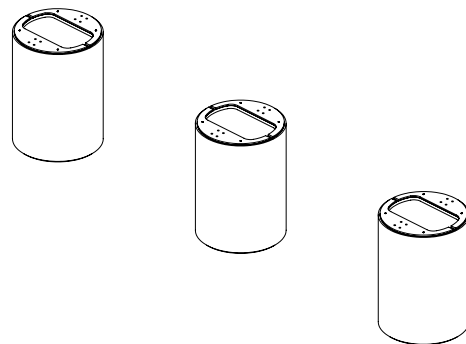
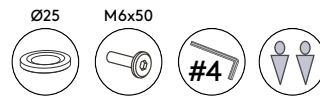
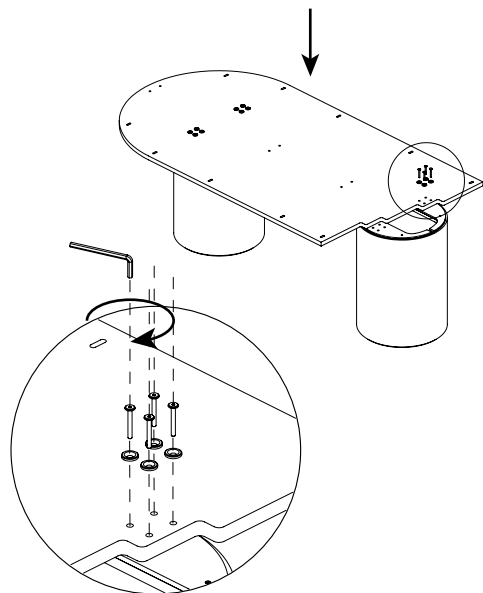
Year
2020

Assembly
instructions

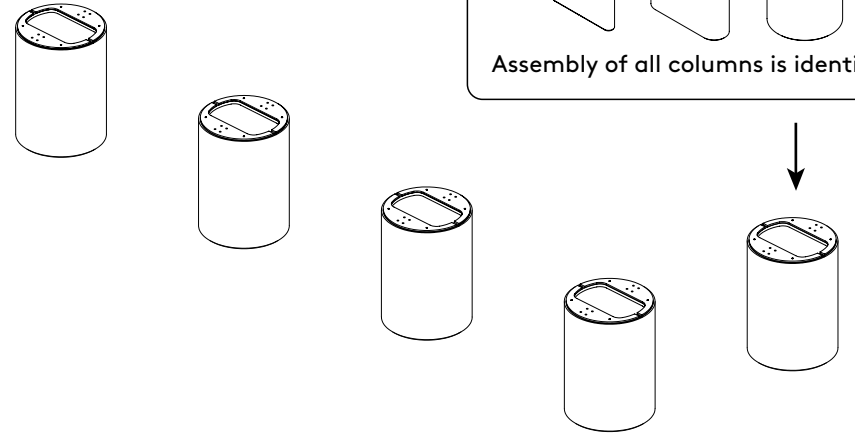
Please follow step 1 - 11.



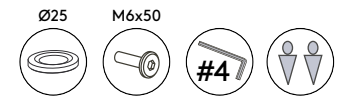
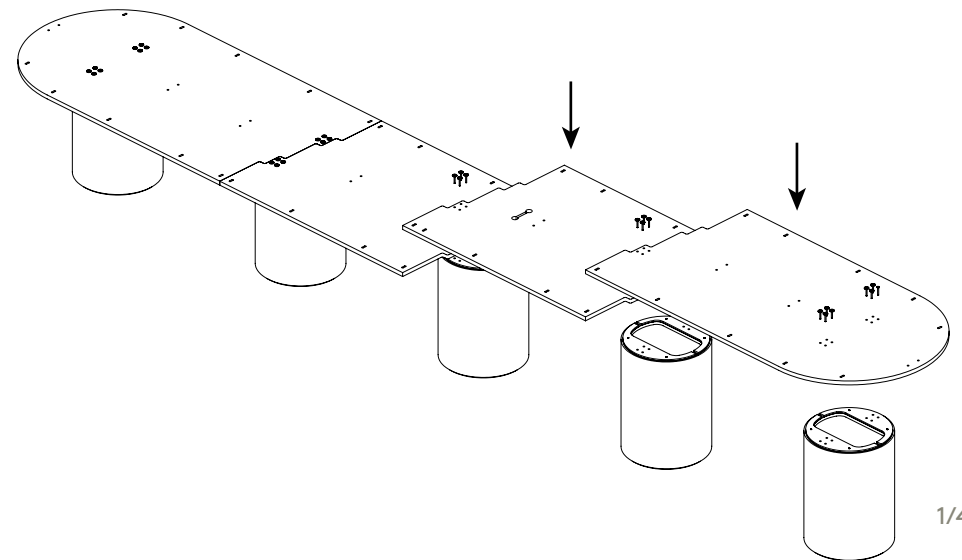
2



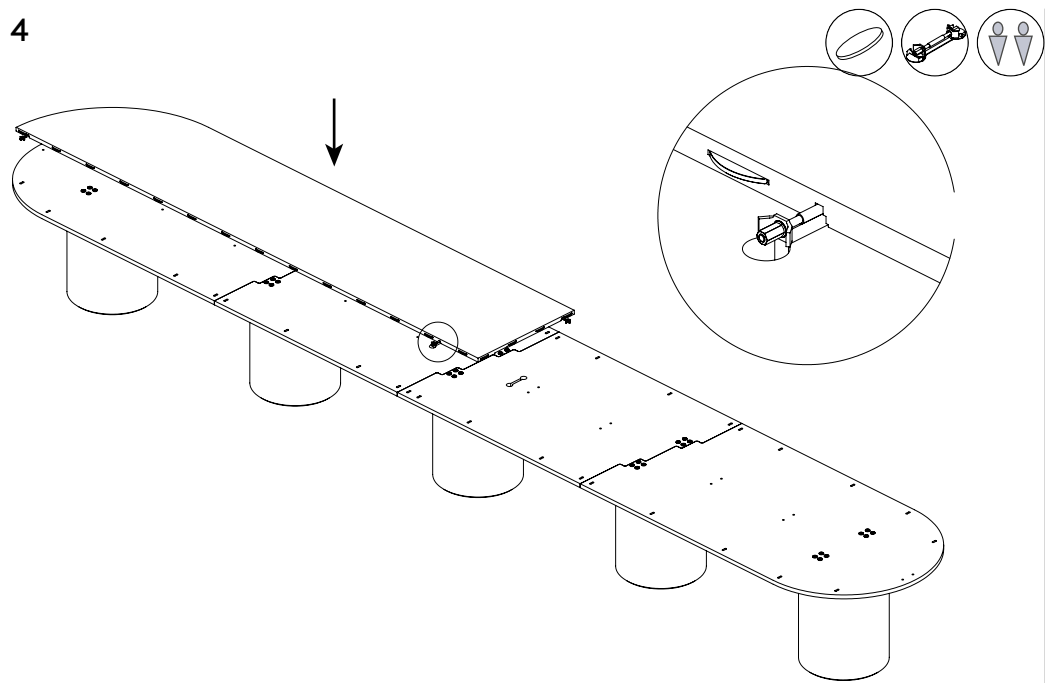
1



3

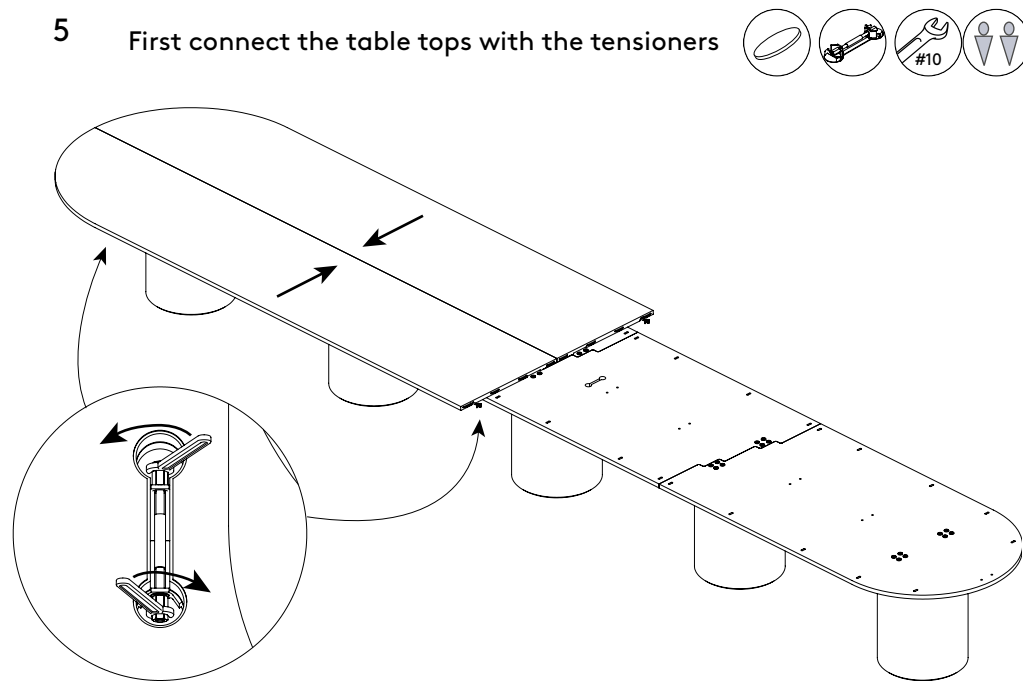


4

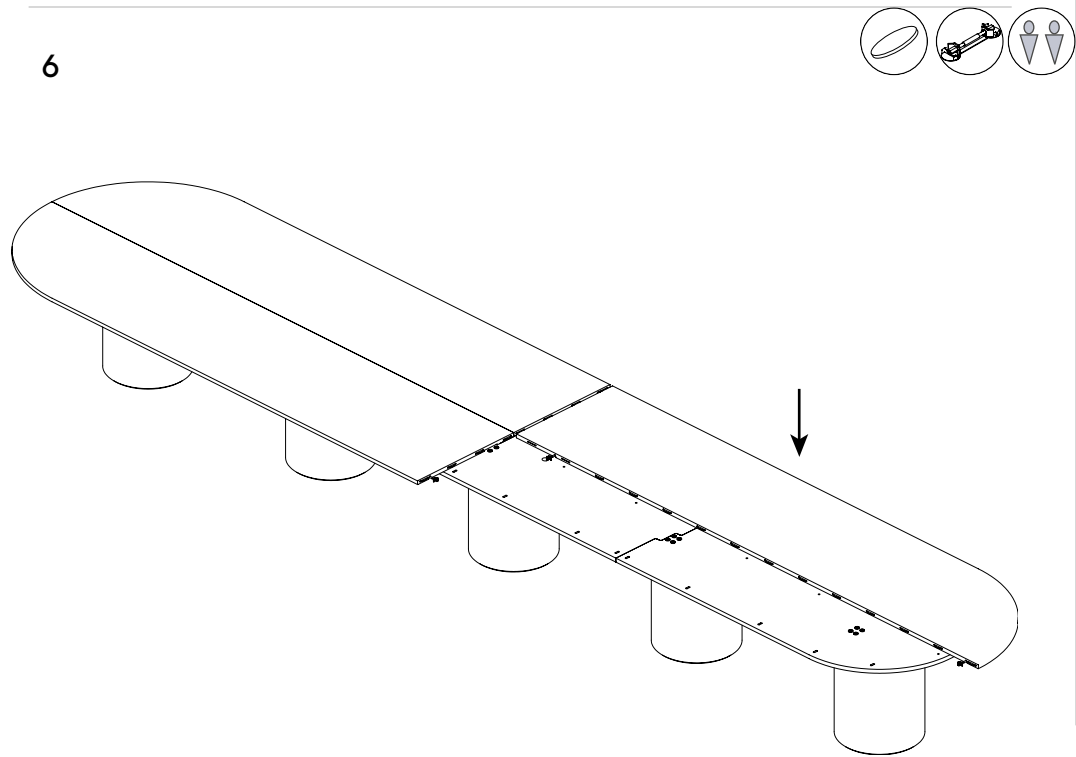


5

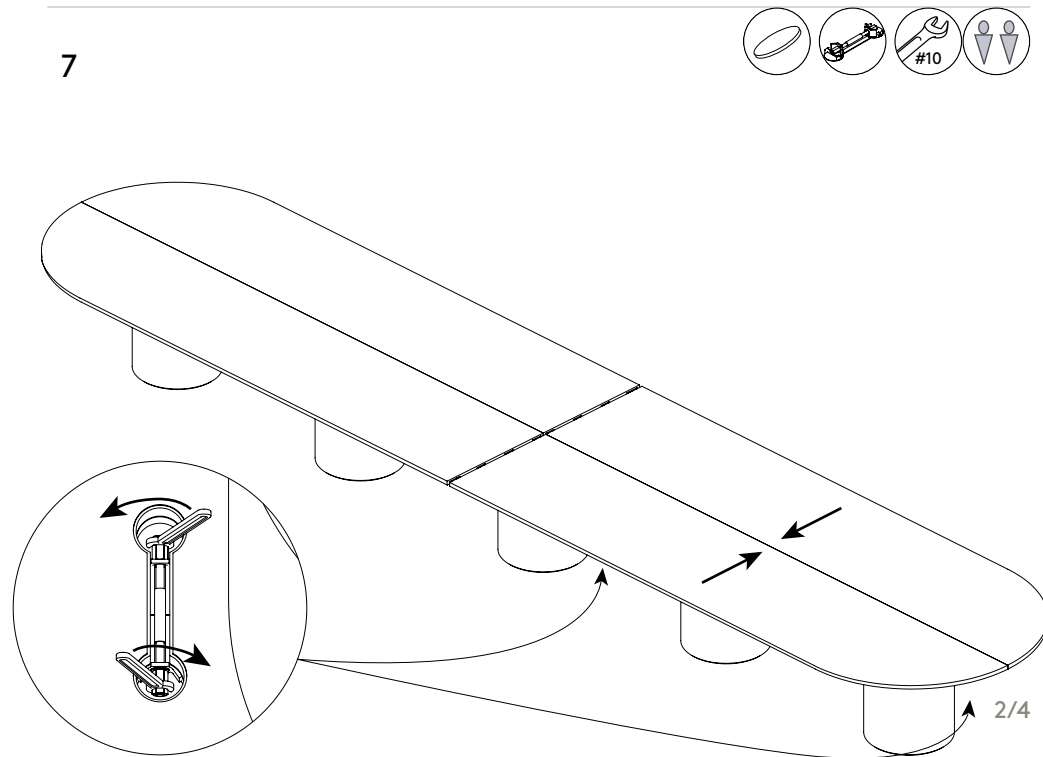
First connect the table tops with the tensioners



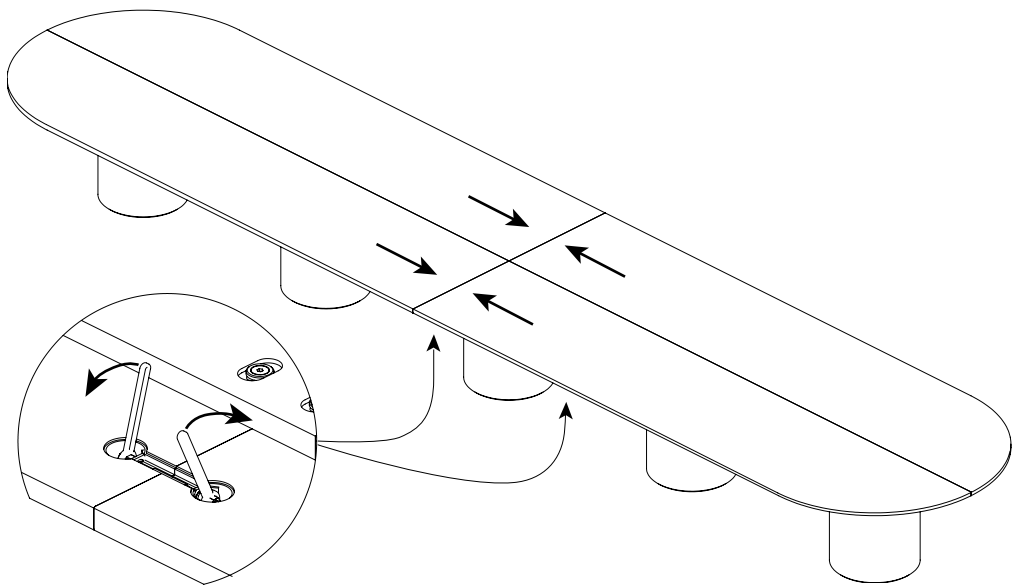
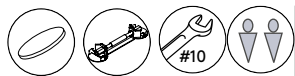
6



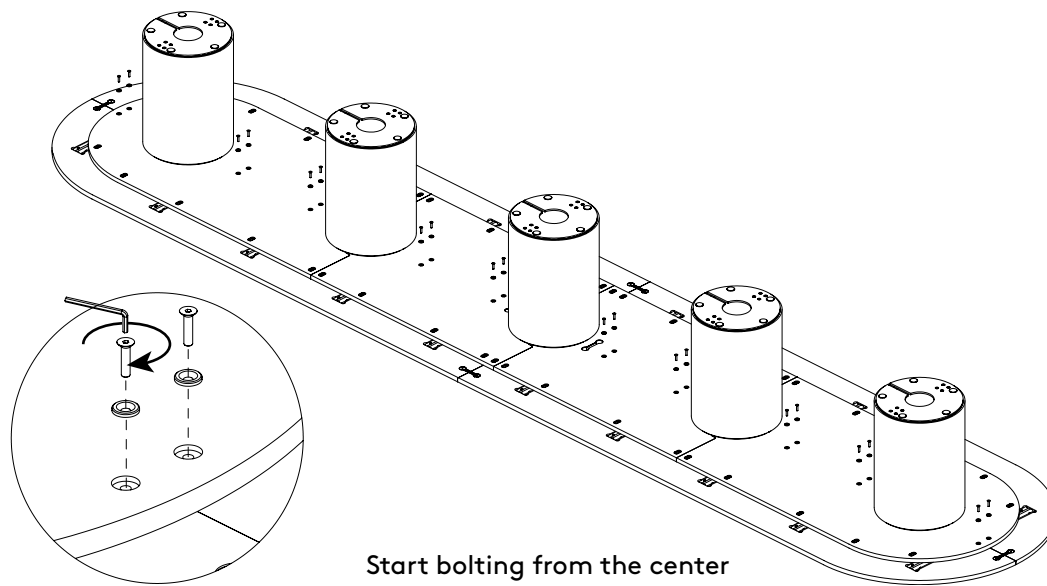
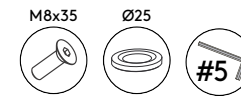
7



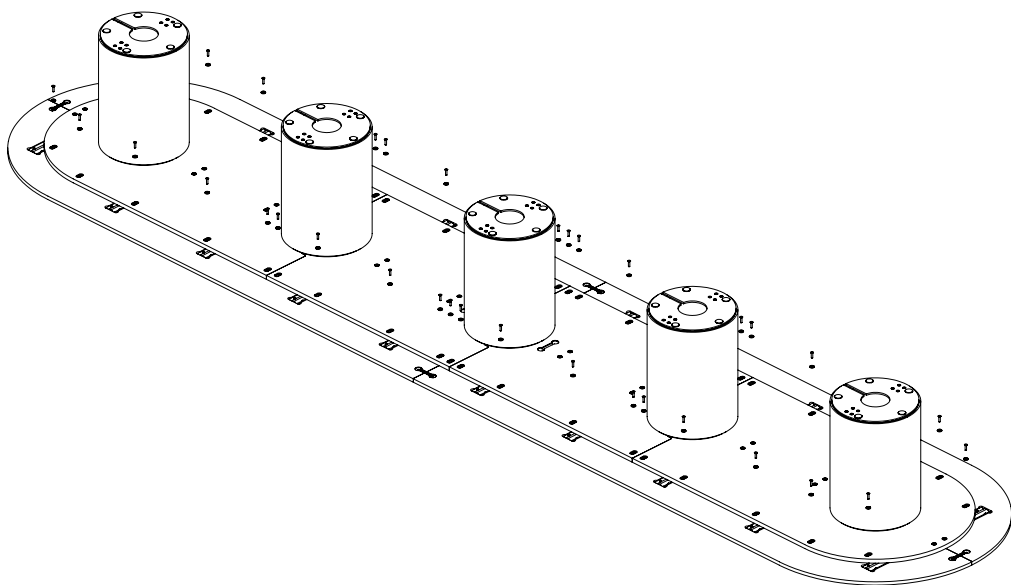
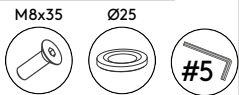
8



9



10



11

